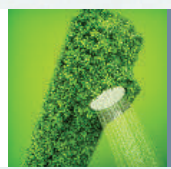


GRATE SEAL® BY GENTEC



R15
GRATE SEAL



GRATE SEAL®

Solutions for

- Health, Aged Care & Accessibility
- Food Preparation & Processing Plants
- Hotels & Shopping Centers
- Sports & Leisure Facilities
- Education & Universities

GRATE SEAL® by GENTEC



The Grate Seal® range is a durable, self fitting seal making it the perfect solution for any drain causing odour issues or requiring vermin prevention.

Unlike other drainage solutions available to the market, Grate Seal® products are a flexible, single piece unit that can be easily installed and doesn't require any cleaning or maintenance. This range can be quickly retrofitted into any existing drain without affecting the surrounding flooring.

Market Usage

Health & Aged Care, Disabled & Accessibility, Food Industry & Processing, Shopping Centres, Schools & Universities, Sport & Leisure Centres, Spas & Hotels, Commercial Applications

Technology

The products in the Grate Seal® range are made from a single piece of rubber (standard is Neoprene) which can be inserted into any new or existing drain. Since the seals are made from rubber, they use friction to sit in the drain meaning no fixing kits are required and they can be removed as much as necessary without requiring the flooring to be removed or affected.

Grate Seal®'s are also a safer and more hygienic solution than other seals on the market as it's rubber composition includes a silver based bactericide which reduces the growth of bacteria, mould and biofilm. Its elasticity also means that it'll also close when the fire collar is activated.

Rubber Options Neoprene (Standard) EPDM (STUBGS01) Natural SBR Nitrile Butyl Silicone Viton <i>*Available by request</i>	General Neoprene Characteristics Service Temperature -55 to 95 Hardness Range 40 to 95 Tensile Strength 20Mpa Compression Set Fair to Good	Neoprene Acid Resistance Dilute Excellent Concentrated Good Fire Resistance Level -/240/0 GS01, STUBG01, GSBT, GSBTO -/240/240 GS50
Neoprene Atmospheric Resistance Ozone Resistance Very Good Heat Aging Very Good Flame Resistance Good Sunlight Aging Very Good Oxidation Resistance Very Good	Neoprene Properties Electrical Insulation Good to Excellent Abrasion Resistance Excellent	Flow Rate 45L/min

Standard / Compliances

Install Gentec products in confidence. Our products are tested and certified to ATS 5200.047:2005

Patented Worldwide

2008243269 GS01, STUBGS01, GS05
 2012901343 GSBT, GSBTBO



Warranty

Our standard warranty terms and conditions for this range is 10 years. For further information, please refer to our standard warranty terms and conditions of sale.

Gentec Products Combining leading edge, technology, design, innovation

The Gentec Australia product offering delivers fit for purpose products that are globally recognised, designed and manufactured to incorporate the best technology, sustainability and durability for any commercial application.

GRATE SEAL® by GENTEC

Product

Technical Drawing

Specifications

		<p>Code GS01 </p> <p>Grate Seal® 100mm/80mm</p>
		<p>Code STUBGS01 </p> <p>Grate Seal® Stubby 100mm</p>
		<p>Code GS50 </p> <p>Grate Seal® 50mm</p>
		<p>Code GSBT </p> <p>Grate Seal® Bucket Trap</p>

Applicable Market  Commercial  Health  Industrial  Hospitality  Scientific

GRATE SEAL® by GENTEC

Product

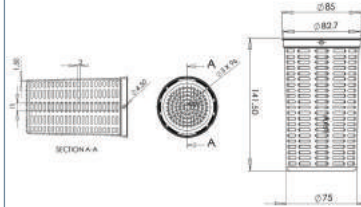
Technical Drawing

Specifications

Code GSBTBO



Bucket Trap Basket Only



GS01

Grate Seal

GRATE SEAL® 100mm/80mm

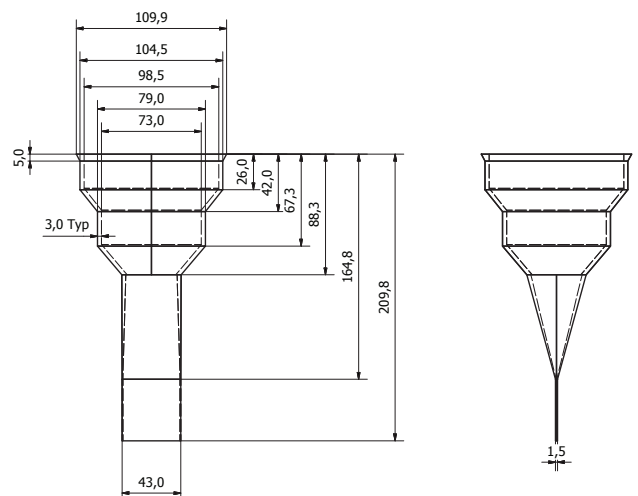
Technical Information:

Materials	Neoprene Rubber
Flow Rate	45L/min
Fire Resistance Level	-/240/0
Colour	Black
Patent Number	2008243269
Servicing	General Cleaning
Warranty	10 Years*



Features:

- Grate Seal can fold in on itself for easy, retrofit installations
- Unit is one piece and self cleansing
- No ridges or braces to obstruct or catch waste
- Air tight seal to prevent any odour from escaping
- No fixing required as the seal stays in place through friction
- No water seal required
- The rubber used is resistant to breaking down
- Is suitable for any standard drain sized 100mm or 80mm (cut to suit)
- Also available in other rubber materials (Contact Gentec for further information)
- Recommended for use in any environment



STUBGS01

Grate Seal

GRATE SEAL® Stubby 100mm

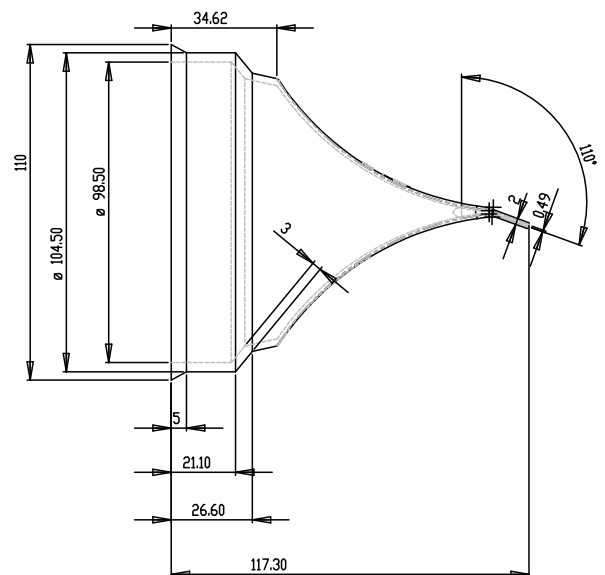
Technical Information:

Materials	EPDM
Flow Rate	45L/min
Fire Resistance Level	-/240/0
Colour	Black
Patent Number	2008243269
Servicing	General Cleaning
Warranty	10 Years*



Features:

- Grate Seal can fold in on itself for easy, retrofit installations
- Unit is one piece and self cleansing
- No ridges or braces to obstruct or catch waste
- Air tight seal to prevent any odour from escaping
- No fixing required as the seal stays in place through friction
- No water seal required
- The rubber used is resistant to breaking down
- Is suitable for any standard drain sized 100mm
- Also available in other rubber materials (Contact Gentec for further information)
- Recommended for use in any environment



GS50

Grate Seal

GRATE SEAL[®] 50mm

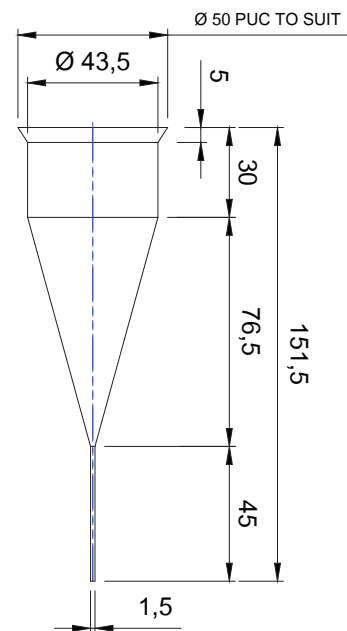
Technical Information:

Materials	Neoprene Rubber
Flow Rate	45L/min
Fire Resistance Level	-/240/240
Colour	Black
Patent	2008243269
Servicing	General Cleaning
Warranty	10 Years*



Features:

- Grate Seal can fold in on itself for easy, retrofit installation
- Unit is one piece and self cleansing
- No ridges or brace to obstruct or catch waste
- Air tight seal to prevent any odour from escaping
- No fixing required as the seal stays in place through friction
- No water seal required
- The rubber used is resistant to breaking down
- Is suitable for any standard drain sized 50mm
- Also available in other rubber materials (Contact Gentec for further information)
- Recommended for use in any environment



GSBT

Grate Seal

GRATE SEAL[®] Bucket Trap

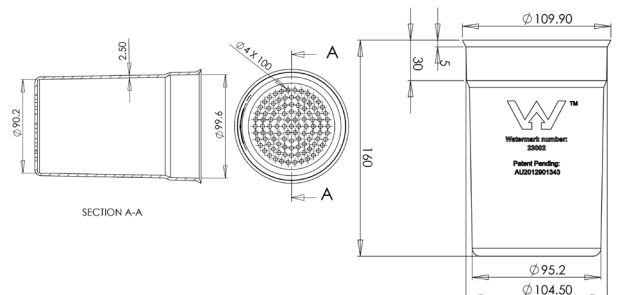
Technical Information:

Materials	Polyurethane Canister Nylon Basket
Flow Rate	45L/min
Fire Resistance Level	-/240/0
Colour	Black
Patent Number	2012901343
Servicing	General Cleaning
Warranty	10 Years*



Features:

- Easy, retrofit installations only take a few minutes
- Bucket is removable for maintenance
- Suitable for any drainage outlet as it is installed under the grate
- Unlike stainless steel varieties, this Bucket Trap doesn't prevent the operation of fire collars
- No fixing required as the seal stays in place through friction
- The materials used are resistant to breaking down
- Recommended for use in any environment



GSBTBO

Grate Seal

GRATE SEAL[®] Bucket Trap Basket Only

Technical Information:

Materials	Nylon Basket
Flow Rate	45L/min
Fire Resistance Level	-/240/0
Colour	Black
Patent Number	2012901343
Servicing	General Cleaning
Warranty	10 Years*



Features:

- Easy installation - Only takes a few minutes
- Basket is removable for maintenance
- Suitable for any drainage outlet as it is installed under the grate
- No fixing required
- The material used is resistant to breaking down
- Recommended for use in any environment

