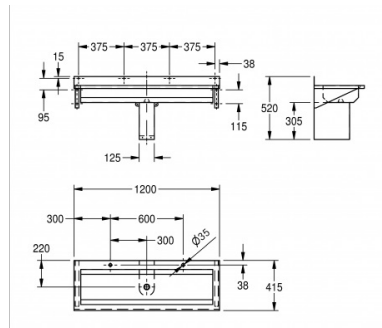


# WASH TROUGH: SANX120

SANX120 | 2000090074

PRODUCT GROUP : Wash basins & Washtroughs | ARTICLE FAMILY : Washtroughs | ARTICLE GROUP : SANX120++ |  
MODEL RANGE : SATURN



Wall mounted washtroughs with tap ledge and optional rear splashbacks incorporating manual or electronic self-closing water controls, manufactured from 1.2 mm thick stainless steel. 1200 mm Washtrough with tap ledge for 2 users.

1200mm Washtrough with Tap Deck for 2 users

Deck Mounted Tap Projection: 175mm

## TECHNICAL DATA

Bowl height	115.00 mm
Bowl width	290.00 mm
Bowl depth	1,090.00 mm
Gross weight	12.40 kg
Material	Stainless steel
Material code	1.4301 Chrome Nickel steel V2A
Material thickness	1.20 mm
Net weight	10.40 kg
Number of waste holes	1
Overall depth	415.00 mm
Overall height	215.00 mm
Overall width	1,200.00 mm
Rear upstand	Yes
Splash back	component of another part
Surface finish	satin finished
Number of tap holes	2
Type of mounting	Wall mounting
Waste hole position	Centre
Waste hole projection	220.00 mm
Waste kit included	No
Waste size	DN 50
Product code	203.0000.184